



## **E-KABIN X SERIES**

STAINLESS STEEL MONOBLOCK ENCLOSURES

# STAINLESS STEEL MONOBLOCK EN

[www.eae-et.com.tr](http://www.eae-et.com.tr)

## CONTENTS

Overview	1
Easy Workshop Assembly	2
Order Information	4
Accessories	5
Dimensions	8





## E-Kabin X Series Stainless Steel Monoblock Enclosures

E-Kabin X Series Stainless Steel Monoblock Enclosures are designed for general purpose electrical applications

Application	: Indoor, outdoor
Protection class	: IP 66
Type of mounting	: Wall-mounted
Material	: 304, 316 Stainless Steel
Standards	: IEC 60529, IEC 62262 IEC 61439-1, IEC 62208

# EASY WORKSHOP ASSEMBLY

## Polyurethane Gasket

Polyurethane Gasket behind the door does not lose its flexibility and adhesiveness with the effects of heat and time. It also provides high protection against dust and water.



## Lock Types

Different lock types are optionally selectable.



**EG KT 11**  
Quarter-Turn Lock Set -Standard-  
-3mm Double Bit-



**EX KT 12**  
304 Stainless Steel Lock Set



**EX KT 13**  
316 Stainless Steel Lock Set



**EX KT 14**  
Hygienic Lock Set



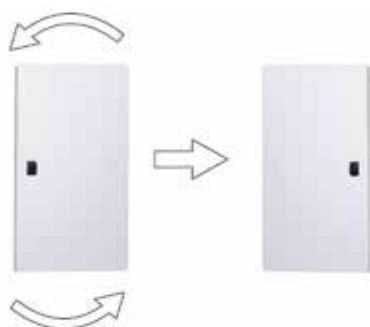
### Standard Door Opening 125°

The door can be opened 125° wide with the standard hinge set. Thus full access is provided during installation.



### Bidirectional door opening

Door opening direction can be changed if it is needed.



### Easy Mounting Stainless Steel Bracket

Wall mounting can be easily done with the stainless steel bracket set.



# ORDER INFORMATION

HEIGHT	WIDTH	DEPTH	ORDER CODE
300	200	120	EX 30 20 12
	200	150	EX 30 20 15
	300	150	EX 30 30 15
	300	210	EX 30 30 21
400	300	150	EX 40 30 15
	300	200	EX 40 30 20
	400	200	EX 40 40 20
500	350	150	EX 50 35 15
	350	200	EX 50 35 20
	400	200	EX 50 40 20
	500	200	EX 50 50 20
600	400	150	EX 60 40 15
	400	200	EX 60 40 20
	400	300	EX 60 40 30
	500	300	EX 60 50 30
	600	200	EX 60 60 20
	600	250	EX 60 60 25
700	500	150	EX 70 50 15
	500	200	EX 70 50 20
	500	300	EX 70 50 30
800	600	150	EX 80 60 15
	600	200	EX 80 60 20
	600	250	EX 80 60 25
	600	300	EX 80 60 30
	600	400	EX 80 60 40
900	600	150	EX 90 60 15
	600	200	EX 90 60 20
	600	300	EX 90 60 30
1000	600	200	EX 100 60 20
	600	250	EX 100 60 25
	600	300	EX 100 60 30
	700	150	EX 100 70 15
	700	200	EX 100 70 20
	700	300	EX 100 70 30
	700	400	EX 100 70 40
	800	300	EX 100 80 30
1200	600	300	EX 120 60 30
	800	150	EX 120 80 15
	800	200	EX 120 80 20
	800	300	EX 120 80 30
	800	400	EX 120 80 40



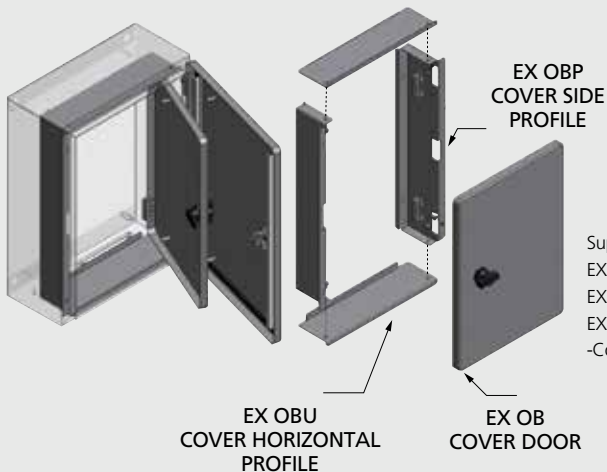
OVERLAPPING DOORS			
HEIGHT	WIDTH	DEPTH	ORDER CODE
800	1000	300	EX 80 100 30
800	1200	300	EX 80 120 30
1000	1000	300	EX 100 100 30
1000	1200	300	EX 100 120 30
1200	1000	300	EX 120 100 30
1200	1000	400	EX 120 100 40
1200	1200	300	EX 120 120 30

Note: Protection class is IP54 for enclosures with overlapping door.



# ACCESSORIES

## EX OB FULL HEIGHT COVER PLATE

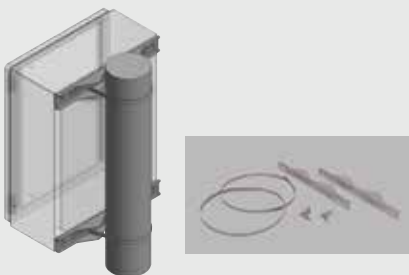


Supply Contents;  
EX OBP Profile 2 Pcs.  
EX OBU Profile 2 Pcs.  
EX OB Cover Unit 1 Pcs.  
-Connection Set- 1 Set

ORDER CODE	SUITABLE DIMENSION
EX OB 50 35	500x350
EX OB 50 40	500x400
EX OB 60 40	600x400
EX OB 60 50	600x500
EX OB 60 60	600x600
EX OB 70 50	700x500
EX OB 80 60	800x600
EX OB 80 80	800x800
EX OB 90 60	900x600
EX OB 100 60	1000x600
EX OB 100 70	1000x700
EX OB 100 80	1000x800
EX OB 120 60	1200x600
EX OB 120 80	1200x800

Unless otherwise specified all dimensions are in mm.

## EX DB POST CONNECTION SET



Supply Contents;  
EX DB Profile 2 Pcs.  
Stainless Clips 2 Pcs.  
Stainless Cover Strip 3 mt.

ORDER CODE	SUITABLE DIMENSION
EX DB 30	400x300
EX DB 35	500x350
EX DB 40	600x400 - 500x400
EX DB 50	600x500 - 700x500
EX DB 60	600x600 - 800x600 - 900x600

Unless otherwise specified all dimensions are in mm.

## LOCK TYPES



**EG KT 11**  
Quarter-Turn  
Lock Set -Standard-  
-3mm Double Bit-



**EX KT 12**  
304 Stainless  
Steel Lock Set



**EX KT 13**  
316 Stainless Steel  
Lock Set

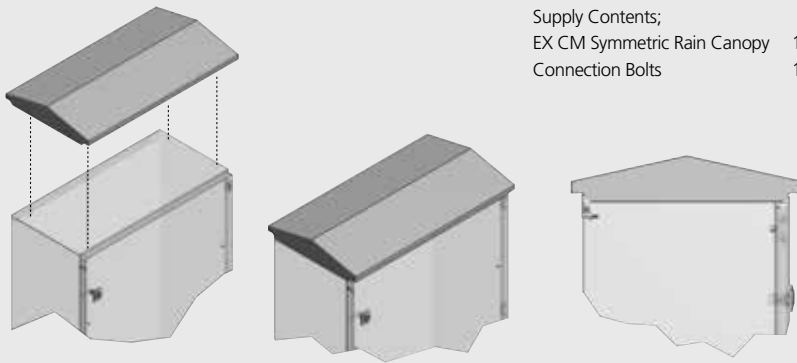


**EX KT 14**  
Hygienic Lock Set

# ACCESSORIES

## EX CM SYMMETRIC RAIN CANOPY

Note: Symmetric Rain Canopy is not applicable for wall mounting brackets



Supply Contents;  
EX CM Symmetric Rain Canopy 1 Pcs.  
Connection Bolts 1 Set

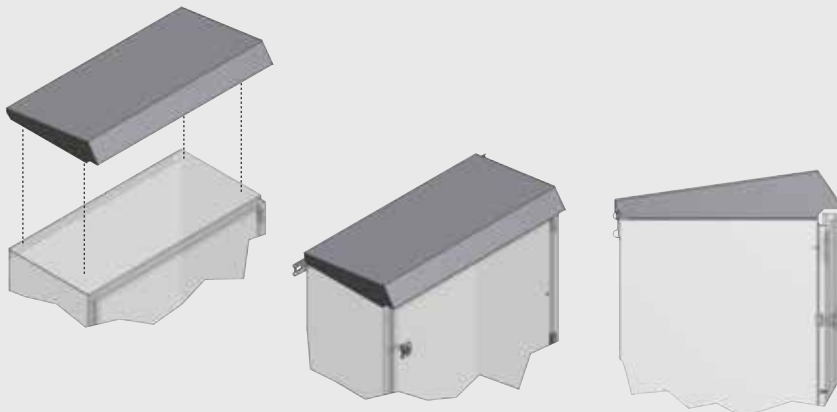
### ORDER CODE

EX CM 4030	Symmetric Rain Canopy
EX CM 5030	Symmetric Rain Canopy
EX CM 6020	Symmetric Rain Canopy
EX CM 6030	Symmetric Rain Canopy
EX CM 7020	Symmetric Rain Canopy
EX CM 7030	Symmetric Rain Canopy
EX CM 8030	Symmetric Rain Canopy
EX CM 10030	Symmetric Rain Canopy
EX CM 12030	Symmetric Rain Canopy
EX CM 7040	Symmetric Rain Canopy
EX CM 8040	Symmetric Rain Canopy
EX CM 10040	Symmetric Rain Canopy

Unless otherwise specified all dimensions are in mm.

## EX CM ASYMMETRIC RAIN CANOPY

Note: Asymmetric Rain Canopy is not applicable for wall mounting brackets.



Supply Contents;  
EX CM Asymmetric Rain Canopy 1 Pcs.  
Connection Bolts 1 Set

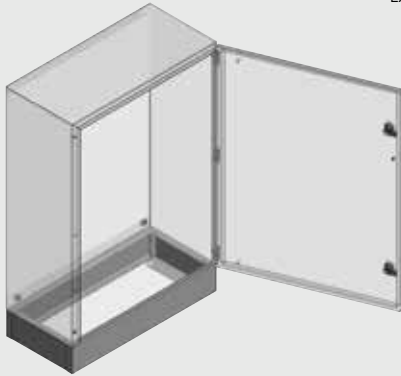
### ORDER CODE

EX CM 3015	Asymmetric Rain Canopy
EX CM 3020	Asymmetric Rain Canopy
EX CM 3515	Asymmetric Rain Canopy
EX CM 4015	Asymmetric Rain Canopy
EX CM 4020	Asymmetric Rain Canopy
EX CM 5020	Asymmetric Rain Canopy
EX CM 5030	Asymmetric Rain Canopy
EX CM 6015	Asymmetric Rain Canopy
EX CM 6020	Asymmetric Rain Canopy
EX CM 6030	Asymmetric Rain Canopy
EX CM 7020	Asymmetric Rain Canopy
EX CM 7030	Asymmetric Rain Canopy
EX CM 7040	Asymmetric Rain Canopy
EX CM 8020	Asymmetric Rain Canopy
EX CM 8030	Asymmetric Rain Canopy
EX CM 8040	Asymmetric Rain Canopy
EX CM 10030	Asymmetric Rain Canopy
EX CM 10040	Asymmetric Rain Canopy
EX CM 12030	Asymmetric Rain Canopy

Unless otherwise specified all dimensions are in mm.

# ACCESSORIES

## EX BZ PLINTH SET

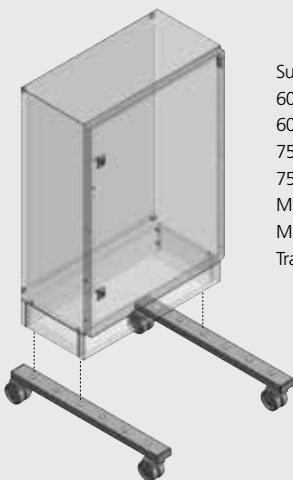


Supply Contents;  
 EX BZ Depth Profile 2 Pcs.  
 EX BZ Width Profile 2 Pcs.  
 EX BZ Connection Bolts 1 Set

WIDTH	DEPTH	ORDER CODE
300	300	EX BZ 30 15
300	300	EX BZ 30 20
350	350	EX BZ 35 15
400	400	EX BZ 40 15
400	400	EX BZ 40 20
400	400	EX BZ 40 30
500	500	EX BZ 50 20
500	500	EX BZ 50 30
600	600	EX BZ 60 15
600	600	EX BZ 60 20
600	600	EX BZ 60 25
600	600	EX BZ 60 30
700	700	EX BZ 70 20
700	700	EX BZ 70 30
700	700	EX BZ 70 40
800	800	EX BZ 80 20
800	800	EX BZ 80 30
800	800	EX BZ 80 40
1000	1000	EX BZ 100 30
1000	1000	EX BZ 100 40
1200	1200	EX BZ 120 30

Unless otherwise specified all dimensions are in mm.

## EG BD PLINTH CASTOR SET

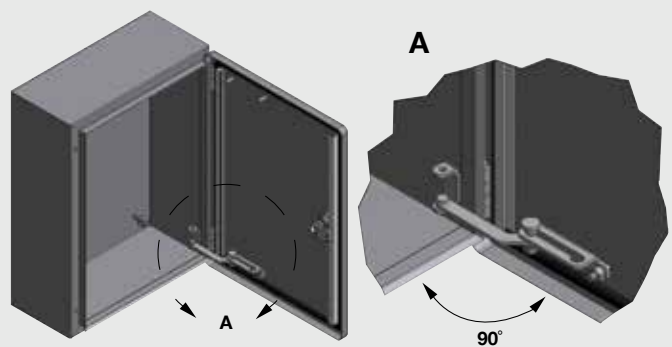


Supply Contents;  
 60x30x2 Square Hollow Section 2 Pcs.  
 60x30 Profile Plug 4 Pcs.  
 75x25 Castor 2 Pcs.  
 75x25 Castor (With Brake) 2 Pcs.  
 M12 Washer 4 Pcs.  
 M12 Nut 4 Pcs.  
 Transparent Plug (Dia 13) 8 Pcs.

### ORDER CODE

EG BD Plinth Castor Set

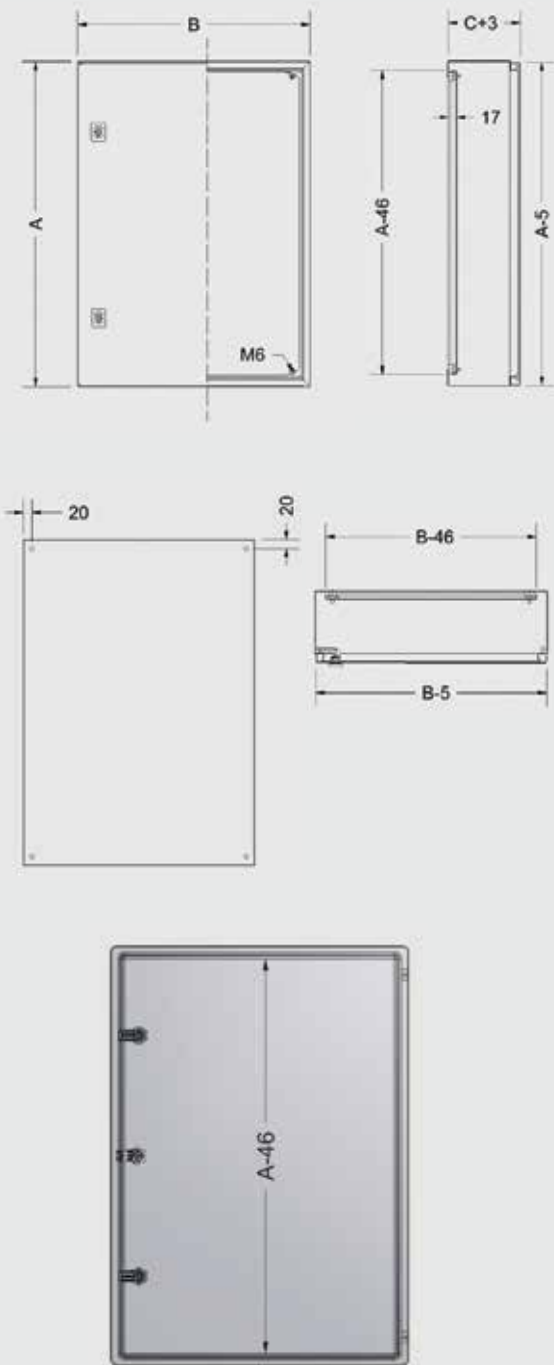
## EX DOOR-STOP SET



### ORDER CODE

EX Door-Stop Set

# DIMENSIONS



ORDER CODE	HEIGHT	WIDTH	DEPTH
	A	B	C
EX 30 20 12	300	200	120
EX 30 20 15	300	200	150
EX 30 30 15	300	300	150
EX 30 30 21	300	300	210
EX 40 30 15	400	300	150
EX 40 30 20	400	300	200
EX 40 40 20	400	400	200
EX 50 35 15	500	350	150
EX 50 35 20	500	350	200
EX 50 40 20	500	400	200
EX 50 50 20	500	500	200
EX 60 40 15	600	400	150
EX 60 40 20	600	400	200
EX 60 40 30	600	400	300
EX 60 50 30	600	500	300
EX 60 60 20	600	600	200
EX 60 60 25	600	600	250
EX 70 50 15	700	500	150
EX 70 50 20	700	500	200
EX 70 50 30	700	500	300
EX 80 60 15	800	600	150
EX 80 60 20	800	600	200
EX 80 60 25	800	600	250
EX 80 60 30	800	600	300
EX 90 60 15	900	600	150
EX 90 60 20	900	600	200
EX 90 60 30	900	600	300
EX 100 60 20	1000	600	200
EX 100 60 25	1000	600	250
EX 100 60 30	1000	600	300
EX 100 70 15	1000	700	150
EX 100 70 20	1000	700	200
EX 100 70 30	1000	700	300
EX 100 70 40	1000	700	400
EX 100 80 30	1000	800	300
EX 100 80 40	1000	800	400
EX 120 60 30	1200	600	300
EX 120 80 15	1200	800	150
EX 120 80 20	1200	800	200
EX 120 80 30	1200	800	300
EX 120 80 40	1200	800	400

Unless otherwise specified all dimensions are in mm.

### **SPECIAL DESIGN MANUFACTURING**

Sample for special design application.



### **ABILITY TO MAKE CUT-OUTS ON DOOR AND BODY FOR SPECIAL PROJECTS**

Drawings for special projects applied with cut-outs on door and body of the enclosures.



# TEST CERTIFICATE

Number: 2128838.100

Issued to: EAE Elektrotechnik San. Ve Tic. A.S.  
Ikitelli Organize Sanayi  
Bölgesi Turgut Özal  
Caddesi No 112  
34306 Ikitelli - Istanbul  
Turkey

For the product: Empty enclosures

Trade name: EAE

Type/Model: E-Kabin D / S / H / X / L / E / M / O / T / K Series

Ratings: IP30 (E Series), IP41 (D Series), IP55 (S / H / L / O / K Series), IP66 (M Series), IP67 (T Series); IK 10;  
indoor (D / S / L / E / O / K Series), outdoor (H Series), indoor/outdoor (M / T Series)  
E-Kabin X Series are stainless steel versions of the E-Kabin S / E / M / T / K Series and have the same ratings.

Manufactured by: EAE Elektrotechnik San. Ve Tic. A.S.  
See address above

Subject: Type test

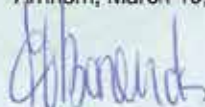
Requirements: IEC 62208:2002, clauses 9.2 - 9.7, 9.8.2, 9.8.3, 9.10, and 9.12

Remarks: WMT procedure

This Test Certificate is granted on account of an examination by KEMA Quality, the results of which are laid down in a report no. 2128838.01-QUA/INC, issued on March 19, 2010.

The examination has been carried out on one single specimen of the product, submitted by the manufacturer. The Attestation does not include an assessment of the manufacturer's production. Conformity of his production with the specimen tested by KEMA Quality is not the responsibility of KEMA Quality.

KEMA Quality B.V.  
Arnhem, March 19, 2010



H.R.M. Barends  
Certification Manager

© Integral publication of this certificate and adjoining reports is allowed





**ELEKTROTEKNİK**

[www.eae-et.com.tr](http://www.eae-et.com.tr)

**EAE Elektroteknik A.Ş.**  
İkitelli Organize Sanayi Bölgesi  
Ziya Gökalp Mah. Eski Turgut  
Özal Cad. No: 20 Başakşehir  
34490, İstanbul / TÜRKİYE  
**Phone** : +90 (212) 549 26 39 (pbx)  
**Fax** : +90 (212) 549 37 91  
**E-mail** : ekabin@eae.com.tr