



## **E-KABIN T SERIES**

WALL MOUNTED TERMINAL BOXES

# TERMINAL BOXES

[www.eae-et.com.tr](http://www.eae-et.com.tr)

## CONTENTS

Overview	1
Terminal Box	2
Order Information	4





## E-Kabin T Series Terminal Boxes

E-Kabin T Series Terminal Boxes are designed for general purpose electrical applications. The design allows usage of the DIN Rails.

Application	: Indoor
Protection Class	: IP 67
Mounting Type	: Wall-mounted
Paint	: Epoxy-polyester powder paint
Colour	: Standard RAL 7035
Operating Temperature	: -5°C, +40°C
Operating relative humidity	: +20°C at %90 +40°C at %50
Operating Environmental Conditions	: IE32 but, max relative humidity %90 and min temperature -5°C according to -EN 60721 - 3 - 3 -
Standards	: IEC 61439-1, IEC 62208 IEC 60529, IEC 62262

# TERMINALBOX

## 270° Turn Fastening Screw

Easy assembly with 270° turn fastening screw.



## IP 66 Protection Class Against Dust and Liquid

Polyurethane Gasket behind the door does not lose its flexibility and adhesiveness with the effects of heat and time. It also provides high protection against dust and water.



## Easthetical Look

Design does not have welding and leveling processes at the edges of cover corners; instead with application of plastering process box has an aesthetical look.





### Useful Mounting Plate

Allows to use maximum available space with minimal losses inside the box.



### Wide Access to Box

Easy access inside of the box and assembly.



### Easy Mounting Bracket

Wall mounting can be easily done with the bracket set.



# ORDER INFORMATION

HEIGHT	WIDTH	DEPTH	ORDER CODES
200	200	120	ET 20 20
300	200	120	ET 20 30
400	200	120	ET 20 40
300	300	120	ET 30 30
400	300	120	ET 30 40
400	400	120	ET 40 40



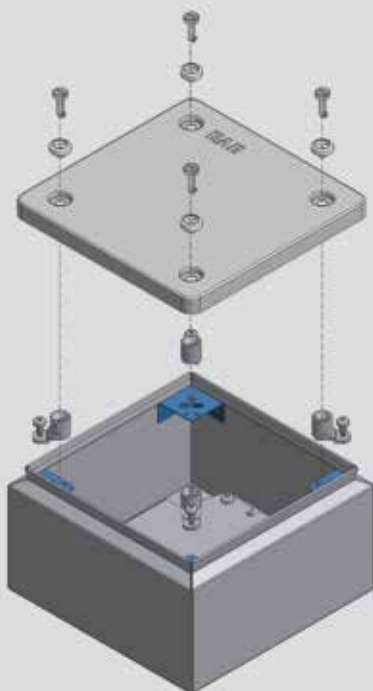
Note: Product includes mounting plate and brackets.

## Different Colour Options

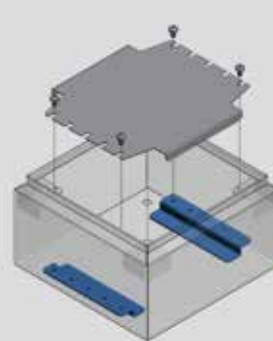
Different;  
 - Colour  
 - Size  
 - Holes  
 with custom-made specifications according to requirements.



## Cover Fixing Detail

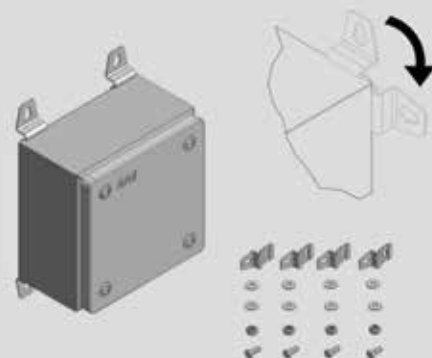


## Mounting Plate



	A Dimension	B Dimension
ET 2020	172	192
ET 2030	172	292
ET 2040	172	392
ET 3030	272	292
ET 3040	272	392
ET 4040	372	392

## Bracket Set: ET BS



Unless otherwise specified all dimensions are in mm.



# TEST CERTIFICATE

**Issued to:** EAE Elektrotechnik San. ve Tic. A.S.  
Ikitelli Organize Sanayi Bolgesi,  
Ziya Gokalp Mh. Eski Turgut Ozal Cd. No:20  
34490 Basaksehir - Istanbul  
Turkey

**For the product:** Empty enclosure for low-voltage switchgear and controlgear assemblies

**Trade name:** EAE

**Type/Model:** E-Kabin D / S / H / X / L / E / M / O / T / K Series

**Ratings:** IP67 (T Series), IP66 (M / O Series), IP55 (E / S / D / L / H / K Series),  
IP41 / IP30 (S / D / L Series (natural ventilated)),  
IP30 (E Series with safety glass door); IK 10;  
indoor (D / S / L / E / O / K Series), outdoor (H Series), indoor/outdoor (M / T Series)  
For more details see annex

**Manufactured by:** EAE Elektrotechnik San. Ve Tic. A.S.  
Ikitelli Organize Sanayi Bolgesi,  
Ziya Gokalp Mh. Eski Turgut Ozal Cd. No:20  
34490 Basaksehir - Istanbul  
Turkey

**Subject:** Type test

**Requirements:** IEC 62208:2011  
Clauses 9.3 - 9.9 and 9.11 - 9.14

**Remarks:** Date of performance of tests: 2009 - 2014 (see general notes on tests in the report)

This Test Certificate is granted on account of an examination by DEKRA, the results of which are laid down in report no. 2171524.01-INC, issued on 16 February 2015.

The examination has been carried out on one single specimen of the product, submitted by the manufacturer. The Attestation does not include an assessment of the manufacturer's production. Conformity of his production with the specimen tested by DEKRA is not the responsibility of DEKRA.

Arnhem, 16 February 2015

Number: 2171524.100

DEKRA Certification B.V.



F.S. Strikwerda  
Certification Manager

© Integral publication of this certificate and adjoining reports is allowed

DEKRA Certification B.V. Meander 1051, 6825 MJ Arnhem P.O. Box 5185, 6802 ED Arnhem, The Netherlands  
T +31 88 96 83000 F +31 88 96 83100 www.dekra-certification.com Company registration 09085396



**TÜRK STANDARDLARI ENSTİTÜSÜ**  
**TÜRK STANDARDLARINA UYGUNLUK BELGESİ**  
**TURKISH STANDARDS INSTITUTION**  
**CERTIFICATE OF CONFORMITY TO TURKISH STANDARDS**

Markanın Tanımı Description of the Mark

**TSE** veya/or  veya/or **TSE**

**BELGE NUMARASI** : 34/14.01/8049-1  
*REFERENCE NUMBER OF LICENCE*

**BELGENİN İLK VERİLİŞ TARİHİ** : 10/07/2006  
*DATE OF FIRST ISSUE OF LICENCE*

**BELGENİN SON GEÇERLİLİK TARİHİ** : 10/07/2011  
*LICENCE VALID UNTIL*

**BELGE SAHİBİ KURULUŞUN ADI** : EAE ELEKTROTEKNİK SANAYİ VE TİCARET ANONİM ŞİRKETİ  
*NAME OF THE LICENCE HOLDER*

**BELGE SAHİBİ KURULUŞUN ADRESİ** : İKİTELLİ ORG. SAN. BÖLG. TURGUT ÖZAL CAD. NO:112 KÜÇÜKÇEKMECE -  
*ADRESS OF THE LICENCE HOLDER* İSTANBUL / TÜRKİYE

**ÜRETİM YERİ ADI** : EAE ELEKTROTEKNİK SANAYİ VE TİCARET ANONİM ŞİRKETİ  
*NAME OF THE MANUFACTURING PLACE*

**ÜRETİM YERİ ADRESİ** : İKİTELLİ ORG. SAN. BÖLG. TURGUT ÖZAL CAD. NO:112 KÜÇÜKÇEKMECE  
*ADDRESS OF THE MANUFACTURING PLACE* İSTANBUL TÜRKİYE

**İPTAL EDİLEN BELGE NUMARASI (Varsa)** :  
*INDICATION OF SUPERSEDED LICENCE (if any)*

**TESCİLLİ TİCARİ MARKASI** : "E-KABİN" MARKALI;  
*REGISTERED TRADE MARK*

**İLGİLİ TÜRK STANDARDI** : TS EN 62208/29.4.2005  
*RELATED TURKISH STANDARD*

**BELGE KAPSAMI** :  
*SCOPE OF LICENCE*  
TS EN 62208/NİSAN 2005 "BOŞ MAHAZALAR-ALÇAK GERİLİM ANAHTARLAMA VE KONTROL DÜZENLERİ İÇİN - GENEL ÖZELLİKLER"  
- BOŞ MAHAZALAR  
- A.G. ANAHTARLAMA VE KONTROL DÜZENLERİ İÇİN DAHİLİ TİP ,JP 55,İK 10 ,ES-(X,A),EM-(X,A),EK-(X,A) MODELLER  
- A.G. ANAHTARLAMA VE KONTROL DÜZENLERİ İÇİN HARİCİ TİP ,JP 55,İK 10 ,EH-(X,A),EM-(X,A),EK-(X,A) ,ET-(X,A) MODELLER



Ömer SÖNMEZ  
TÜRK STANDARDLARI ENSTİTÜSÜ  
İSTANBUL ÜRÜN  
BELGELENDİRME MÜDÜRÜ

\*Enstitümüzce verilmekte olan "İmalata Yeterlilik Belgesi" 15.04.2007 tarihinden itibaren geçerli değildir.  
\*Bu belge, belgelendirilen ürünün, üretim yerinin Enstitümüzün belirlediği şartları karşıladığını da gösterir.

TSE Kallite Kampusu İSTANBUL \* TSE ÜRÜN BELGELENDİRME MÜDÜRLÜĞÜ ÇAYIROVA TREN İSTASYONU YANI BAYRAMOĞLU  
-GEBZE / KOCAELİ \* tel: 0262 653 07 62-20 HAT/0312-416 83 06 \* faks: 0262 653 08 49/0312-416 88 17 \* web :www.kampus.tse.org.tr \*  
e-mail :e-mail:ubm@kampus.tse.org.tr

Bu belge hiç bir surette tahrif edilemez, kopyalanmaz veya başka amaçla kullanılmamalıdır. Kopya ve tahrif yapılmaz.

The above certificate is the valid one at the date of this catalogue published. The updated certificate is downloadable from our web site.





**ELEKTROTEKNİK**

[www.eae-et.com.tr](http://www.eae-et.com.tr)

EAE Elektroteknik A.S.  
Ikitelli Organize Sanayi Bolgesi  
Eski Turgut Ozal Caddesi  
Ziya Gokalp Mahallesi No: 20  
34490 Basaksehir / Istanbul  
Phone : +90 (212) 549 26 39 (pbx)  
Fax : +90 (212) 549 37 91  
E-mail : [ekabin@eae.com.tr](mailto:ekabin@eae.com.tr)  
Web : [www.eae-et.com.tr](http://www.eae-et.com.tr)