



## **E-KABIN O SERIES**

MONOBLOCK ENCLOSURES

# MONOBLOCK ENCLOSURES

[www.eae-et.com.tr](http://www.eae-et.com.tr)

## CONTENTS

Overview	1
Easy Workshop Assembly	2
Order Information	4
Accessories	5
Dimensions	8





## E-Kabin O Series Monoblock Enclosures

E-Kabin O Series Monoblock Enclosures designed for indoor electrical applications.

Application	: Indoor, outdoor with canopies
Protection class	: IP 66
Type of mounting	: Wall-mounted
Paint	: Epoxy - polyester powder paint
Colour	: Standard RAL 7035
Operating temperature	: -5°C, +40°C
Operating relative humidity	: +20°C' de %90 +40°C' de %50
Operating environment conditions	: IE32 for %90 humidity and minimum -5°C - Acc. to EN 60721-3-3
Standards	: IEC 61439-1, IEC 62208 IEC 60529, IEC 62262

# EASY WORKSHOP ASSEMBLY

## Support Profiles

Providing fixing surface for cables and other accessories  
Support Profiles also increase the strenght of the door



## Polyurethane Gasket

Polyurethane Gasket behind the door does not loose its flexibility and adhesiveness with the effects of heat and time.  
It also provides high protection against dust and water.



## Handful Lock System

The keys are available to stay on lock system.





### Standard Door Opening 125°

The door can be opened 125° wide with the standard hinge set. Thus full access is provided during installation.



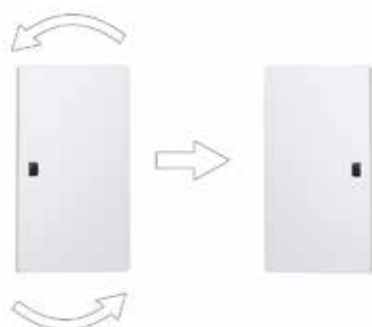
### 180° Hinge Accessory

The door can be opened 180° with the optional hinge set.



### Bidirectional door opening

Door opening direction can be changed if it is needed.



### Easy Mounting Bracket

Wall mounting can be easily done with the bracket set.



# ORDER INFORMATION

HEIGHT	WIDTH	DEPTH	ORDER CODE
400	300	150	EO 40 30 15
	300	200	EO 40 30 20
	400	200	EO 40 40 20
500	350	150	EO 50 35 15
	400	200	EO 50 40 20
	500	200	EO 50 50 20
600	400	150	EO 60 40 15
	400	200	EO 60 40 20
	400	300	EO 60 40 30
	500	300	EO 60 50 30
	600	200	EO 60 60 20
700	500	200	EO 70 50 20
	500	300	EO 70 50 30
	600	200	EO 80 60 20
800	600	250	EO 80 60 25
	600	300	EO 80 60 30
	800	300	EO 80 80 30
	600	150	EO 90 60 15
900	600	200	EO 90 60 20
	600	300	EO 90 60 30
	600	200	EO 100 60 20
1000	600	250	EO 100 60 25
	600	300	EO 100 60 30
	700	200	EO 100 70 20
	700	300	EO 100 70 30
	700	400	EO 100 70 40
	800	300	EO 100 80 30
	800	400	EO 100 80 40
1200	600	300	EO 120 60 30
	800	200	EO 120 80 20
	800	300	EO 120 80 30
	800	400	EO 120 80 40



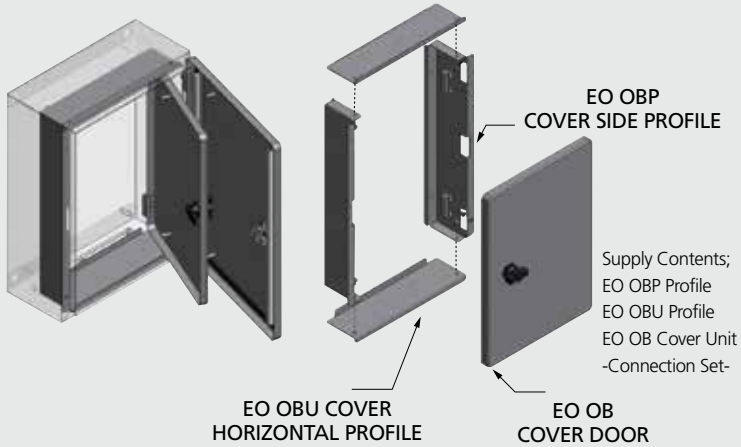
OVERLAPPING DOORS			
HEIGHT	WIDTH	DEPTH	ORDER CODE
800	1000	300	EO 80 100 30
800	1200	300	EO 80 120 30
1000	1000	300	EO 100 100 30
1000	1200	300	EO 100 120 30
1200	1000	300	EO 120 100 30
1200	1000	400	EO 120 100 40
1200	1200	300	EO 120 120 30





# ACCESSORIES

## EO OB FULL HEIGHT COVER PLATE



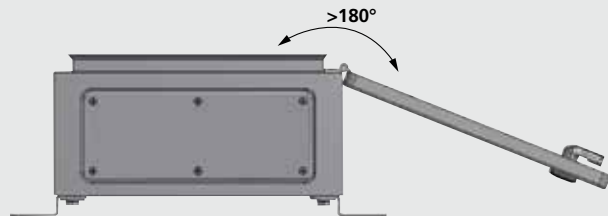
ORDER CODE	SUITABLE DIMENSION
EO OB 50 35	500x350
EO OB 50 40	500x400
EO OB 60 40	600x400
EO OB 60 50	600x500
EO OB 60 60	600x600
EO OB 70 50	700x500
EO OB 80 60	800x600
EO OB 80 80	800x800
EO OB 90 60	900x600
EO OB 100 60	1000x600
EO OB 100 70	1000x700
EO OB 100 80	1000x800
EO OB 120 60	1200x600
EO OB 120 80	1200x800

**Note:** EO DS Depth Adjustment System is not capable to be used with EO OB Full Height Cover.

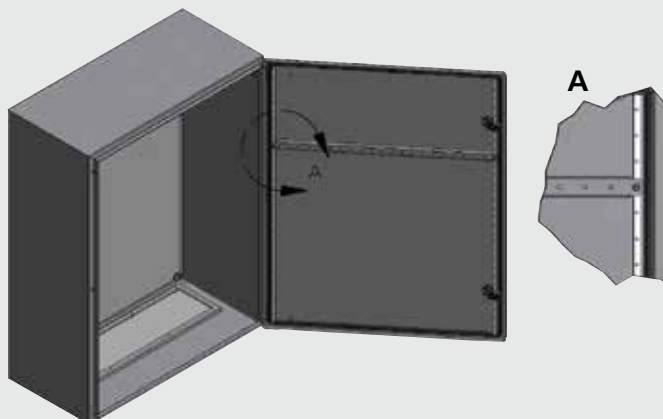
## 180° HINGE SET



ORDER CODE	DESCRIPTION	SUITABLE HEIGHT
EO TA 3M	EO 180 DEGREE TRIPLE HINGE SET	H > 80 cm
EO TA 2M	EO 180 DEGREE DOUBLE HINGE SET	H < 80 cm



## EO KP DOOR PROFILE

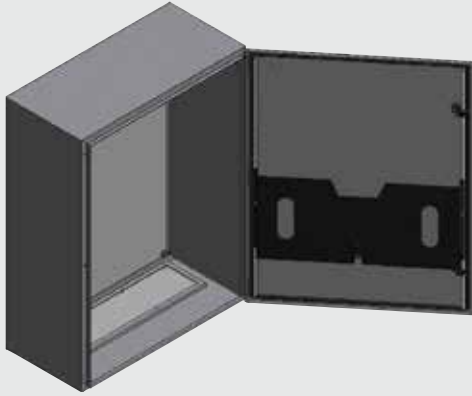


Supply Contents;  
EO KP Door Profile 1 pcs  
M 3,9x9,5 Bolt 2 pcs

ORDER CODE
EO KP 30 Door Profile
EO KP 35 Door Profile
EO KP 40 Door Profile
EO KP 50 Door Profile
EO KP 60 Door Profile
EO KP 70 Door Profile
EO KP 80 Door Profile

# ACCESSORIES

## EO PC PLAN POCKET

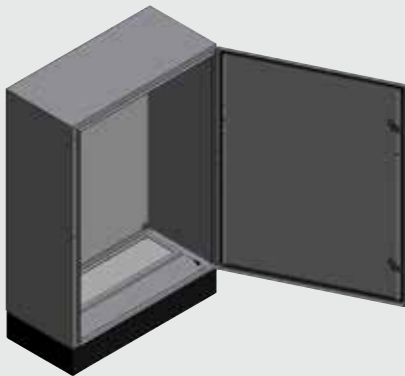


Supply Contents;  
 EO PC Steel Plan Pocket 1 pcs  
 M 3,9x9,5 Bolt 2 pcs  
 YB 15 mm Duple-Sided Tape 1mt.

### ORDER CODE

EO PC 60 Plan Pocket  
 EO PC 70 Plan Pocket  
 EO PC 80 Plan Pocket

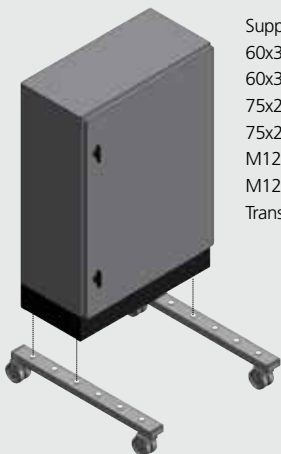
## EO BZ PLINTH SET



Supply Contents;  
 EO BZ Depth Profile 2 pcs  
 EO BZ Width Profile 2 pcs  
 EO BZ Connection Bolts 1 set

WIDTH	DEPTH	ORDER CODE
300	150	EO BZ 30 15
300	200	EO BZ 30 20
350	150	EO BZ 35 15
400	150	EO BZ 40 15
400	200	EO BZ 40 20
400	300	EO BZ 40 30
500	200	EO BZ 50 20
500	300	EO BZ 50 30
600	150	EO BZ 60 15
600	200	EO BZ 60 20
600	250	EO BZ 60 25
600	300	EO BZ 60 30
700	200	EO BZ 70 20
700	300	EO BZ 70 30
700	400	EO BZ 70 40
800	200	EO BZ 80 20
800	300	EO BZ 80 30
800	400	EO BZ 80 40
1000	300	EO BZ 100 30
1000	400	EO BZ 100 40
1200	300	EO BZ 120 30

## EG BD PLINTH CASTOR SET

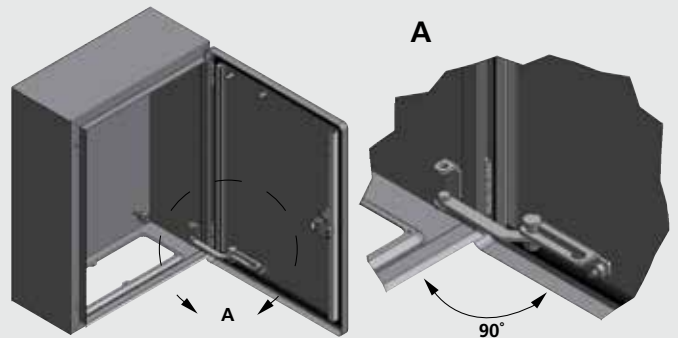


Supply Contents;  
 60x30x2 Square Hollow Section 2 Pcs.  
 60x30 Profile Plug 4 Pcs.  
 75x25 Castor 2 Pcs.  
 75x25 Castor (With Brake) 2 Pcs.  
 M12 Washer 4 Pcs.  
 M12 Nut 4 Pcs.  
 Transparent Plug (Dia 13) 8 Pcs.

### ORDER CODE

EG BD Plinth Castor Set

## EO DOOR-STOP SET

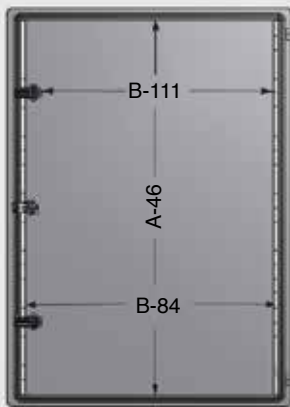
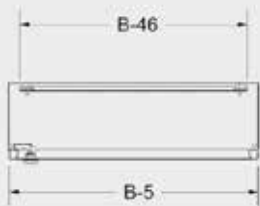
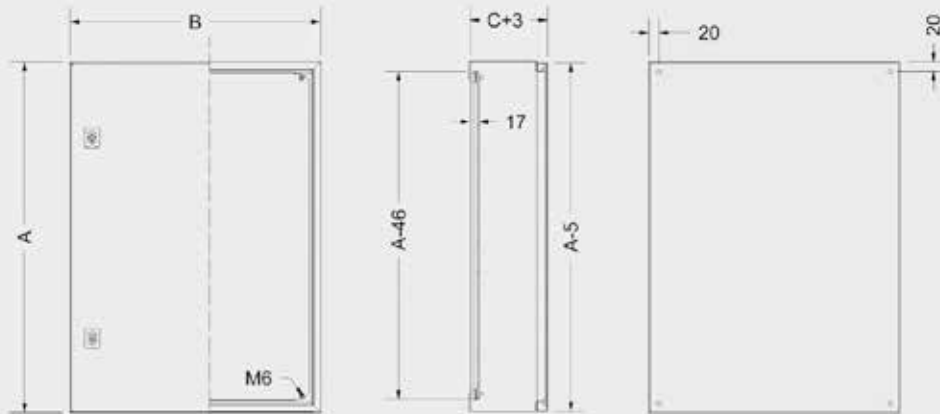


### ORDER CODE

EO Door-Stop Set

\* EO Door Stop set should be informed to the customer representative.

# DIMENSIONS



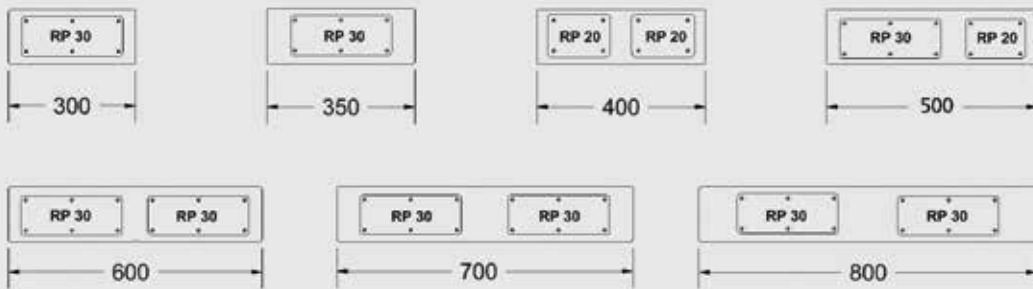
ORDER CODE	HEIGHT	WIDTH	DEPTH
	A	B	C
EO 40 30 15	400	300	150
EO 40 30 20	400	300	200
EO 40 40 20	400	400	200
EO 50 35 15	500	350	150
EO 50 40 20	500	400	200
EO 50 50 20	500	500	200
EO 60 40 15	600	400	150
EO 60 40 20	600	400	200
EO 60 40 30	600	400	300
EO 60 50 30	600	500	300
EO 60 60 20	600	600	200
EO 60 60 25	600	600	250
EO 70 50 20	700	500	200
EO 70 50 30	700	500	300
EO 80 60 20	800	600	200
EO 80 60 25	800	600	250
EO 80 60 30	800	600	300
EO 80 80 30	800	800	300
EO 90 60 15	900	600	150
EO 90 60 20	900	600	200
EO 90 60 30	900	600	300
EO 100 60 20	1000	600	200
EO 100 60 25	1000	600	250
EO 100 60 30	1000	600	300
EO 100 70 20	1000	700	200
EO 100 70 30	1000	700	300
EO 100 70 40	1000	700	400
EO 100 80 30	1000	800	300
EO 100 80 40	1000	800	400
EO 120 60 30	1200	600	300
EO 120 80 20	1200	800	200
EO 120 80 30	1200	800	300
EO 120 80 40	1200	800	400

Unless otherwise specified all dimensions are in mm.

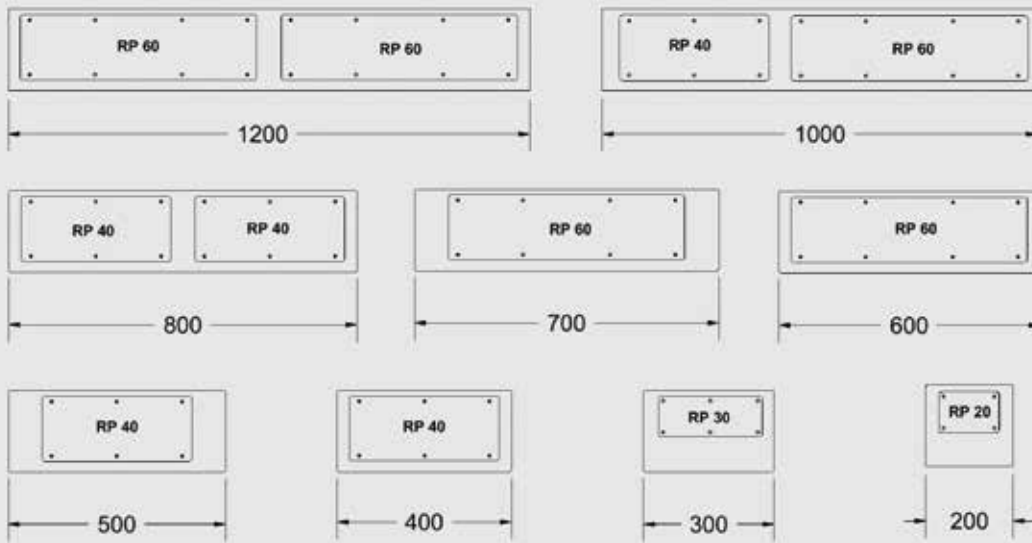
# DIMENSIONS

## GLAND PLATE COMBINATIONS

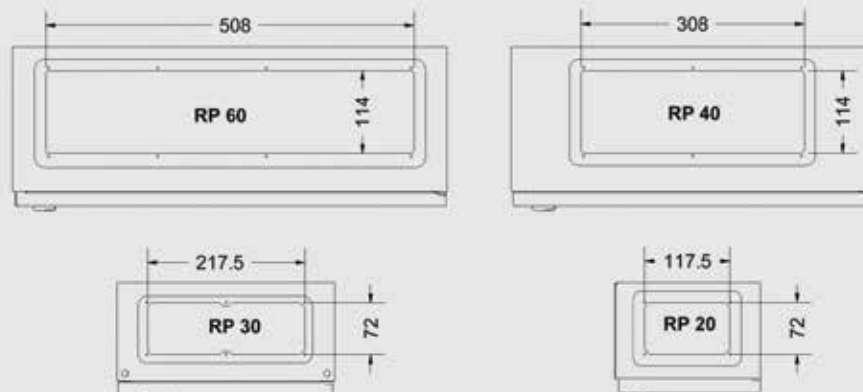
Depth 150 mm



Depth 200, 250, 300 and 400 mm



## GLAND PLATES



Unless otherwise specified all dimensions are in mm.

# TEST CERTIFICATE

**Issued to:** EAE Elektrotechnik San. ve Tic. A.S.  
Ikitelli Organize Sanayi Bolgesi,  
Ziya Gokalp Mh. Eski Turgut Ozal Cd. No:20  
34490 Basaksehir - Istanbul  
Turkey

**For the product:** Empty enclosure for low-voltage switchgear and controlgear assemblies

**Trade name:** EAE

**Type/Model:** E-Kabin D / S / H / X / L / E / M / O / T / K Series

**Ratings:** IP67 (T Series), IP66 (M / O Series), IP55 (E / S / D / L / H / K Series),  
IP41 / IP30 (S / D / L Series (natural ventilated)),  
IP30 (E Series with safety glass door); IK 10;  
indoor (D / S / L / E / O / K Series), outdoor (H Series), indoor/outdoor (M / T Series)  
For more details see annex

**Manufactured by:** EAE Elektrotechnik San. Ve Tic. A.S.  
Ikitelli Organize Sanayi Bolgesi,  
Ziya Gokalp Mh. Eski Turgut Ozal Cd. No:20  
34490 Basaksehir - Istanbul  
Turkey

**Subject:** Type test

**Requirements:** IEC 62208:2011  
Clauses 9.3 - 9.9 and 9.11 - 9.14

**Remarks:** Date of performance of tests: 2009 - 2014 (see general notes on tests in the report)

This Test Certificate is granted on account of an examination by DEKRA, the results of which are laid down in report no. 2171524.01-INC, issued on 16 February 2015.

The examination has been carried out on one single specimen of the product, submitted by the manufacturer. The Attestation does not include an assessment of the manufacturer's production. Conformity of his production with the specimen tested by DEKRA is not the responsibility of DEKRA.

Arnhem, 16 February 2015

Number: 2171524.100

DEKRA Certification B.V.



F.S. Strikwerda  
Certification Manager

© Integral publication of this certificate and adjoining reports is allowed





**TÜRK STANDARDLARI ENSTİTÜSÜ**  
**TÜRK STANDARDLARINA UYGUNLUK BELGESİ**  
**TURKISH STANDARDS INSTITUTION**  
**CERTIFICATE OF CONFORMITY TO TURKISH STANDARDS**

Markanın Tanımı Description of the Mark  
TSE veya/or  veya/or T S E

**BELGE NUMARASI** : 34/14.01/8049-1  
*REFERENCE NUMBER OF LICENCE*

**BELGENİN İLK VERİLİŞ TARİHİ** : 10/07/2006  
*DATE OF FIRST ISSUE OF LICENCE*

**BELGENİN SON GEÇERLİLİK TARİHİ** : 10/07/2011  
*LICENCE VALID UNTIL*

**BELGE SAHİBİ KURULUŞUN ADI** : EAE ELEKTROTEKNİK SANAYİ VE TİCARET ANONİM ŞİRKETİ  
*NAME OF THE LICENCE HOLDER*

**BELGE SAHİBİ KURULUŞUN ADRESİ** : İKİTELLİ ORG. SAN. BÖLG. TURGUT ÖZAL CAD. NO:112 KÜÇÜKKEÇMECE -  
*ADDRESS OF THE LICENCE HOLDER* İSTANBUL / TÜRKİYE

**ÜRETİM YERİ ADI** : EAE ELEKTROTEKNİK SANAYİ VE TİCARET ANONİM ŞİRKETİ  
*NAME OF THE MANUFACTURING PLACE*

**ÜRETİM YERİ ADRESİ** : İKİTELLİ ORG. SAN. BÖLG. TURGUT ÖZAL CAD. NO:112 KÜÇÜKKEÇMECE  
*ADDRESS OF THE MANUFACTURING PLACE* İSTANBUL / TÜRKİYE

**İPTAL EDİLEN BELGE NUMARASI (Varsa)** :  
*INDICATION OF SUPERSEDED LICENCE (if any)*

**TESCİLLİ TİCARİ MARKASI** : "E-KABİN" MARKALI;  
*REGISTERED TRADE MARK*

**İLGİLİ TÜRK STANDARDI** : TS EN 62208/29.4.2005  
*RELATED TURKISH STANDARD*

**BELGE KAPSAMI** :  
*SCOPE OF LICENCE*  
TS EN 62208/NİSAN 2005 "BOŞ MAHAZALAR-ALÇAK GERİLİM ANAHTARLAMA VE KONTROL DÜZENLERİ  
İÇİN - GENEL ÖZELLİKLER"  
- BOŞ MAHAZALAR  
- A.G. ANAHTARLAMA VE KONTROL DÜZENLERİ İÇİN DAHİLİ TİP ,IP 55,İK 10 ,ES-(X,A),EM-(X,A),EK-(X,A)  
MODELLER  
- A.G. ANAHTARLAMA VE KONTROL DÜZENLERİ İÇİN HARİCİ TİP ,IP 55,İK 10 ,EH-(X,A),EM-(X,A),EK-(X,A)  
,ET-(X,A) MODELLER





Ömer SÖNMEZ  
TÜRK STANDARDLARI ENSTİTÜSÜ  
İSTANBUL ÜRÜN  
BELGELENDİRME MÜDÜRÜ

\*Enstitümüzce verilmekte olan "İmalata Yeterlilik Belgesi" 15.04.2007 tarihinden itibaren geçerlidir.  
\*Bu belge, belgelendirilen ürünün, üretim yerinin Enstitümüzün belirlediği şartları karşıladığını da gösterir.  
TSE Kalite Kampusu İSTANBUL \* TSE ÜRÜN BELGELENDİRME MÜDÜRLÜĞÜ ÇAYIROVA TREN İSTASYONU YANI BAYRAMOĞLU  
-GEBZE / KOCAELİ \* tel: 0262 653 07 52-20 HAT/0312-416 63 06 \* faks: 0262 653 08 49/0312-416 66 17 \* web :www.kampus.tse.org.tr \*  
e-mail :e-mail:ubm@kampus.tse.org.tr

Bu belge hiç bir suretle tahrif edilemez. İsmi men veya okunmasını zorlaştıracak şekilde çoğaltılamaz, hazırlar ve silinil yapılamaz.





**ELEKTROTEKNİK**

[www.eae-et.com.tr](http://www.eae-et.com.tr)

EAE Elektroteknik A.S.  
İkitelli Organize Sanayi Bölgesi  
Eski Turgut Ozal Caddesi  
Ziya Gökalp Mahallesi No: 20  
34490 Basakşehir / İstanbul  
**Phone** : +90 (212) 549 26 39 (pbx)  
**Fax** : +90 (212) 549 37 91  
**E-mail** : ekabin@eae.com.tr